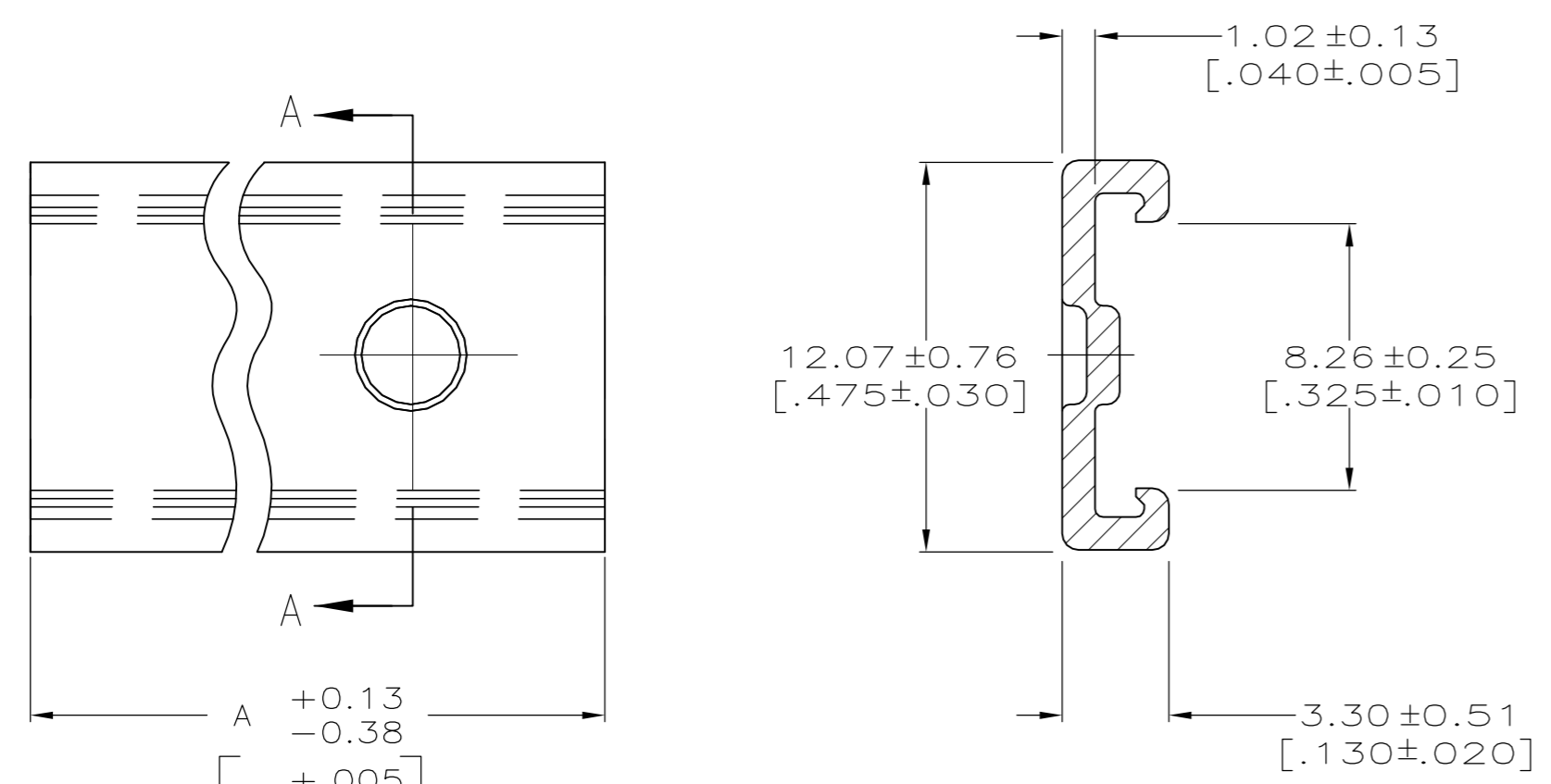
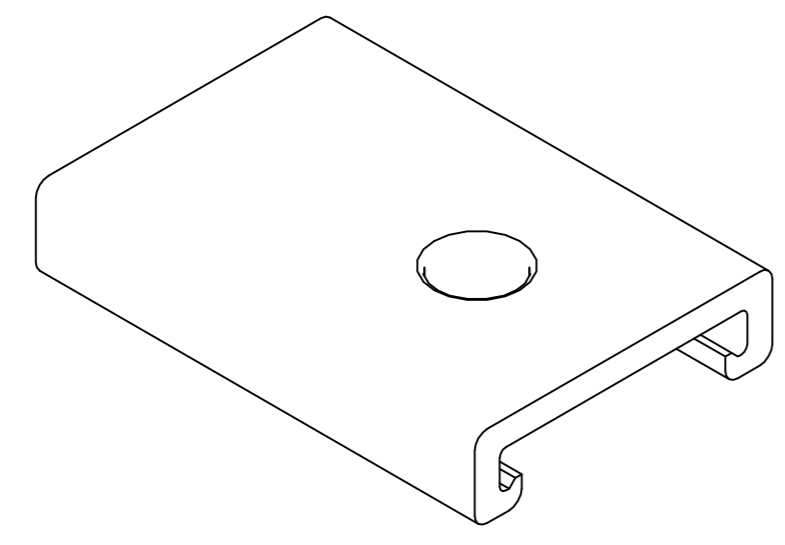


1. DIMENSIONS IN BRACKETS ARE IN INCHES.

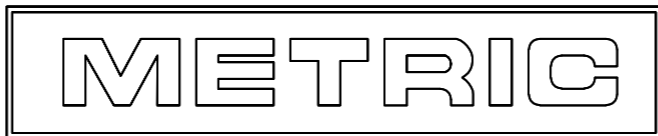


SECTION A-A



3-DIMENSIONAL MODEL  
NTS

24	CIRCUIT ASSY	95.10	[3.744]	2-640643-4
23	CIRCUIT ASSY	91.14	[3.588]	2-640643-3
22	CIRCUIT ASSY	87.17	[3.432]	2-640643-2
21	CIRCUIT ASSY	83.21	[3.276]	2-640643-1
20	CIRCUIT ASSY	79.25	[3.120]	2-640643-0
19	CIRCUIT ASSY	75.29	[2.964]	1-640643-9
18	CIRCUIT ASSY	71.32	[2.808]	1-640643-8
17	CIRCUIT ASSY	67.36	[2.652]	1-640643-7
16	CIRCUIT ASSY	63.40	[2.496]	1-640643-6
15	CIRCUIT ASSY	59.44	[2.340]	1-640643-5
14	CIRCUIT ASSY	55.47	[2.184]	1-640643-4
13	CIRCUIT ASSY	51.51	[2.028]	1-640643-3
12	CIRCUIT ASSY	47.55	[1.872]	1-640643-2
11	CIRCUIT ASSY	43.59	[1.716]	1-640643-1
10	CIRCUIT ASSY	39.62	[1.560]	1-640643-0
9	CIRCUIT ASSY	35.66	[1.404]	640643-9
8	CIRCUIT ASSY	31.70	[1.248]	640643-8
7	CIRCUIT ASSY	27.74	[1.092]	640643-7
6	CIRCUIT ASSY	23.77	[.936]	640643-6
5	CIRCUIT ASSY	19.81	[.780]	640643-5
4	CIRCUIT ASSY	15.85	[.624]	640643-4
3	CIRCUIT ASSY	11.89	[.468]	640643-3
2	CIRCUIT ASSY	7.92	[.312]	640643-2
USED ON MTA 156 CONNECTOR ASSEMBLY AS LISTED		A		PART NO



THIS DRAWING IS A CONTROLLED DOCUMENT.		DWN T. BECK 4-9-91	<b>STE</b> TE Connectivity		
DIMENSIONS: MM[INCHES]		CHK R. SWING 4-9-91			
TOLERANCES UNLESS OTHERWISE SPECIFIED:		APVD G. MILLER 4-10-91	NAME COVER, FEEDTHRU, MTA-156		
0 PLC ± - 1 PLC ± - 2 PLC ± - 3 PLC ± - 4 PLC ± - ANGLES ± ± -		PRODUCT SPEC - APPLICATION SPEC -	SIZE A2	CAGE CODE 00779	DRAWING NO G-640643
MATERIAL POLYESTER, UL 94V-0 NATURAL		FINISH -	WEIGHT -	CUSTOMER DRAWING	RESTRICTED TO -
			SCALE 5:1	SHEET 1 OF 1	REV R1